

CITY OF SACRAMENTO
1231 I Street, Sacramento, CA 95814

Permit No: 0319227
Insp Area: 4
Thos Bros: 257-A4

Site Address: 341 DRAGONFLY CR SAC
Parcel No: RYLAND COTTAGES LOT 27

Sub-Type: NSFR
Housing (Y/N): N

CONTRACTOR
RYLAND HOMES
1380 LEAD HILL BLVD. STE 108
ROSEVILLE CA. 95661

OWNER

ARCHITECT

Nature of Work: MP2015 2 STORY 7 ROOM SFR

CONSTRUCTION LENDING AGENCY : I hereby affirm under penalty of perjury that there is a construction lending agency for the performance of the work for which this permit is issued (Sec. 3097, Civ. C).

Lender's Name _____ Lender's Address _____

LICENSED CONTRACTORS DECLARATION: I hereby affirm under penalty of perjury that I am licensed under provisions of Chapter 9 (commencing with section 7000) of Division 3 of the Business and Professions Code and my license is in full force and effect.

License Class B License Number 054648 Date 12-29-03 Contractor Signature [Signature]

OWNER-BUILDER DECLARATION: I hereby affirm under penalty of perjury that I am exempt from the contractors License Law for the following reason (Sec. 7031.5, Business and Professions Code; any city or county which requires a permit to construct, alter, improve, demolish, or repair any structure, prior to its issuance, also requires the applicant for such permit to file a signed statement that he or she is licensed pursuant to the provisions of the Contractors License Law (Chapter 9 (commencing with Section 7000) of Division 8 of the Business and Professions Code) or that he or she is exempt therefrom and the basis for the alleged exemption. Any violation of Section 7031.5 by any applicant for a permit subjects the applicant to a civil penalty of not more than five hundred dollars (\$500.00);

I, as a owner of the property, or my employees with wages as their sole compensation, will do the work, and the structure is not intended or offered for sale (Sec. 7044, Business and Professional Code: The Contractors License Law does not apply to an owner of property who builds or improves thereon, and who does such work himself or herself or through his/her own employees, provided that such improvements are not intended or offered for sale. If, however, the building or improvement is sold within one year of completion, the owner-builder will have the burden of proving that he/she did not build or improve for the purpose of sale.)

I, as owner of the property, am exclusively contracting with licensed contractors to construct the project (Sec. 7044, Business and Professions Code: The Contractors License Law does not apply to an owner of property who builds or improves thereon, and who contracts for such projects with a contractor(s) licensed pursuant to the Contractors License Law).

PAID
CITY OF SACRAMENTO
DEC 31 2003
NORTH PERMIT CENTER

I am exempt under Sec. _____ B & PC for this reason: _____
Date _____ Owner Signature _____

IN ISSUING THIS BUILDING PERMIT, the applicant represents, and the city relies on the representation of the applicant, that the applicant verified all measurements and locations shown on the application or accompanying drawings and that the improvement to be constructed does not violate any law or private agreement relating to permissible or prohibited locations for such improvements. This building permit does not authorize any illegal location of any improvement or the violation of any private agreement relating to location of improvements.

I certify that I have read this application and state that all information is correct. I agree to comply with all city and county ordinances and state laws relating to building construction and hereby authorize representative(s) of this city to enter upon the abovementioned property for inspection purposes.

Date 12-29-03 Applicant/Agent Signature [Signature]

WORKER'S COMPENSATION DECLARATION: I hereby affirm under penalty of perjury one of the following declarations:

I have and will maintain a certificate of consent to self-insure for workers' compensation as provided for by Section 3700 of the Labor Code, for the performance of work for which the permit is issued.

I have and will maintain workers' compensation insurance, as required by Section 3700 of the Labor Code, for the performance of the work for which this permit is issued. My workers' compensation insurance carrier and policy number are:

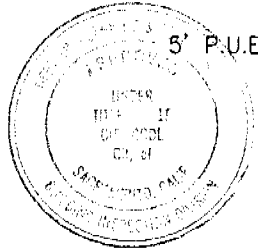
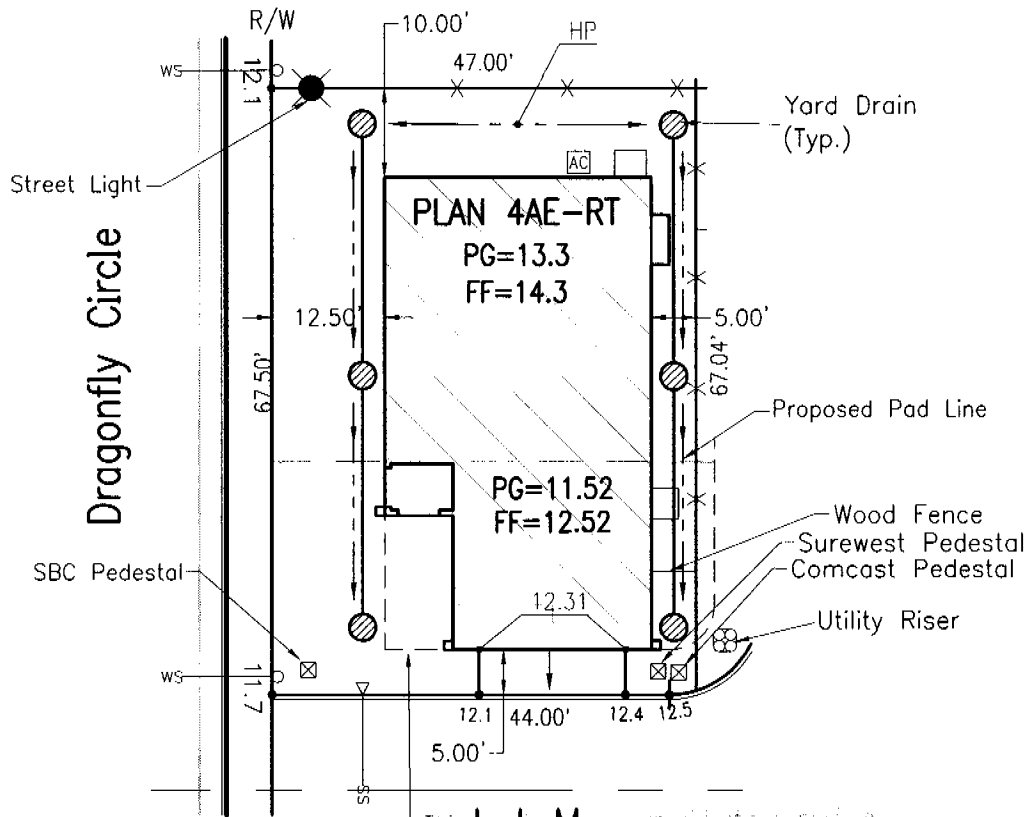
Carrier AMERICAN HOME ASSURANCE Policy Number AOS WC7085227 Exp Date 06/01/2003

(This section need not be completed if the permit is for \$100 or less) I certify that in the performance of the work for which this permit is issued, I shall not employ any person in any manner so as to become subject to the workers' compensation laws of California and agree that if I should become subject to the workers' compensation provisions of Section 3700 of the Labor Code, I shall forthwith comply with those provisions.

Date 12-29-03 Applicant Signature [Signature]

WARNING: FAILURE TO SECURE WORKER'S COMPENSATION COVERAGE IS UNLAWFUL AND SHALL SUBJECT AN EMPLOYER TO CRIMINAL PENALTIES AND CIVIL FINES UP TO ONE HUNDRED THOUSAND DOLLARS (\$100,000) IN ADDITION TO THE COST OF COMPENSATION, DAMAGES AS PROVIDED FOR IN SECTION 3706 OF THE LABOR CODE, INTEREST AND ATTORNEY'S FEE.

THIS PERMIT SHALL EXPIRE BY LIMITATION IF WORK IS NOT COMMENCED WITHIN 180 DAYS.



Lot M

This is a preliminary plan and is not to be used for construction. It is intended for informational purposes only. No warranty is made without written permission from the Building Inspection Division.

The approval of this plan and specification SHALL NOT be held to permit or approve the violation of any City Ordinance or State Law.

Handwritten signature

DIMENSIONS SHOWN ARE APPROXIMATE, EXCEPT FOR MINIMUMS REQUIRED BY ORDINANCE.
THIS PLOT DOES NOT REFLECT AS-BUILT CONDITIONS WHICH MAY VARY FROM THIS PLAN.

Handwritten initials

 <p>ENGINEERING SURVEYING PLANNING BAKER-WILLIAMS ENGINEERING GROUP 6020 Rulland Drive, Suite 19 (916) 331-4336 Carmichael, California 95608 (Fax) 331-4430</p>	<p><i>Ryland Cottages</i> by Ryland Homes Inc.</p>		<p>SCALE : 1"=20'</p>
	<p>PLOT PLAN FOR LOT 27</p>		<p>Date: Sep 2, 2003</p>
	<p>Address: 341 Dragonfly Circle City of Sacramento, Sacramento Co.</p>	<p>Lot Area: 3172 s.f. A.P.N.: 225-1900-073</p>	<p>Revised:</p> <p>Drawn By: SAK</p> <p>Job No.: 03-05-051</p>

INSULATION CERTIFICATE

THIS IS TO CERTIFY THAT INSULATION HAS BEEN INSTALLED IN CONFORMANCE WITH THE CURRENT ENERGY REGULATIONS, CALIFORNIA ADMINISTRATION CODE, TITLE 24, STATE OF CALIFORNIA, IN THE BUILDING LOCATED AT:

SITE ADDRESS LOT 27 LAS CASITAS SACRAMENTO CA
NUMBER **CITY** **STATE**

CEILINGS:

BLOW: **MANUFACTURER** KNAUF **THICKNESS** 13" **R/VALUE** 30
SQUARE FEET 1015 **#BAGS/LBS PER BAGS** 20

BATTS: **MANUFACTURER** JOHNS MANVILLE **THICKNESS** 10.25" **R/VALUE** 30
JOHNS MANVILLE

EXTERIOR WALLS:

MANUFACTURER JOHNS MANVILLE **THICKNESS** 3.5" **R/VALUE** 13
JOHNS MANVILLE

FLOOR INSULATION:

MANUFACTURER JOHNS MANVILLE **THICKNESS** 3.5" **R/VALUE** 13
JOHNS MANVILLE

AIR INFILTRATION: (TITLE 24)

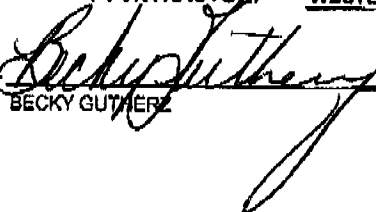
YES XXX **NO** _____

OTHER: _____

GENERAL CONTRACTOR: RYLAND HOMES **LICENSE #** _____

BY: _____ **TITLE** _____ **DATE** _____

INSULATION CONTRACTOR: WESTERN INSULATION LP **LICENSE #** 794484

BY:  **TITLE** AUTH. AGENT **DATE** 4/16/04
BECKY GUTHERZ