

CITY OF SACRAMENTO
1231 I Street, Sacramento, CA 95814

Permit No: 9906554
Insp Area: 1

Site Address: 800 9TH ST SAC
Parcel No: 006-0035-011

Sub-Type: ACOM
Housing (Y/N): N

CONTRACTOR
REEVE-KNIGHT CONSTRUCTION
500 GUISEPPI CT #2
RSVL CA

OWNER
ADAMS CAPITAL MANAGEMENT CO
SACRAMENTO CA
95812

ARCHITECT

Nature of Work: REMOVE/REPLACE 2 ROOFTOP UNITS INCLUDING STRUCTURAL UPGRADES

CONSTRUCTION LENDING AGENCY: I hereby affirm under penalty of perjury that there is a construction lending agency for the performance of the work for which this permit is issued (Sec. 3097, Civ. C).

Lender's Name _____ Lender's Address _____

LICENSED CONTRACTORS DECLARATION: I hereby affirm under penalty of perjury that I am licensed under provisions of Chapter 9 (commencing with section 7000) of Division 3 of the Business and Professions Code and my license is in full force and effect.

Y License Class 3 License Number 659107 Date 7/16/99 Contractor Signature Brad Crowdon for Reeve-Knight

OWNER-BUILDER DECLARATION: I hereby affirm under penalty of perjury that I am exempt from the contractors License Law for the following reason (Sec. 7031.5, Business and Professions Code; any city or county which requires a permit to construct, alter, improve, demolish, or repair any structure, prior to its issuance, also requires the applicant for such permit to file a signed statement that he or she is licensed pursuant to the provisions of the Contractors License Law (Chapter 9 (commencing with Section 7000) of Division 8 of the Business and Professions Code) or that he or she is exempt therefrom and the basis for the alleged exemption. Any violation of Section 7031.5 by any applicant for a permit subjects the applicant to a civil penalty of not more than five hundred dollars (\$500.00):

I, as a owner of the property, or my employees with wages as their sole compensation, will do the work, and the structure is not intended or offered for sale (Sec. 7044, Business and Professional Code: The Contractors License Law does not apply to an owner of property who builds or improves thereon, and who does such work himself or herself or through his/her own employees, provided that such improvements are not intended or offered for sale. If, however, the building or improvement is sold within one year of completion, the owner-builder will have the burden of proving that he/she did not build or improve for the purpose of sale.)

I, as owner of the property, am exclusively contracting with licensed contractors to construct the project (Sec. 7044, Business and Professions Code). The Contractors License Law does not apply to an owner of property who builds or improves thereon, and who contracts for such projects with a contractor(s) licensed pursuant to the Contractors License Law).

I am exempt under Sec. _____ B & PC for this reason: _____

Date _____ Owner Signature _____

IN ISSUING THIS BUILDING PERMIT, the applicant represents, and the city relies on the representation of the applicant, that the applicant verified all measurements and locations shown on the application or accompanying drawings and that the improvement to be constructed does not violate any law or private agreement relating to permissible or prohibited locations for such improvements. This building permit does not authorize any illegal location of any improvement or the violation of any private agreement relating to location of improvements.

I certify that I have read this application and state that all information is correct. I agree to comply with all city and county ordinances and state laws relating to building construction and hereby authorize representative(s) of this city to enter upon the abovementioned property for inspection purposes.

X Date 7/16/99 Applicant (Agent) Signature Brad Crowdon for Reeve-Knight

WORKER'S COMPENSATION DECLARATION: I hereby affirm under penalty of perjury one of the following declarations:

I have and will maintain a certificate of consent to self-insure for workers' compensation as provided for by Section 3700 of the Labor Code, for the performance of work for which the permit is issued

I have and will maintain workers' compensation insurance, as required by Section 3700 of the Labor Code, for the performance of the work for which this permit is issued. My workers' compensation insurance carrier and policy number are:

Carrier _____ Policy Number _____ Exp Date _____

(This section need not be completed if the permit is for \$100 or less) I certify that in the performance of the work for which this permit is issued, I shall not employ any person in any manner so as to become subject to the workers' compensation laws of California and agree that if I should become subject to the workers' compensation provisions of Section 3700 of the Labor Code, I shall forthwith comply with those provisions.

Y Date 7/16/99 Applicant Signature Brad Crowdon 7/16/99

WARNING: FAILURE TO SECURE WORKER'S COMPENSATION COVERAGE IS UNLAWFUL AND SHALL SUBJECT AN EMPLOYER TO CRIMINAL PENALTIES AND CIVIL FINES UP TO ONE HUNDRED THOUSAND DOLLARS (\$100,000) IN ADDITION TO THE COST OF COMPENSATION, DAMAGES AS PROVIDED FOR IN SECTION 3706 OF THE LABOR CODE, INTEREST AND ATTORNEY'S FEE.

THIS PERMIT SHALL EXPIRE BY LIMITATION IF WORK IS NOT COMMENCED WITHIN 180 DAYS.



CAPITOL ENGINEERING LABORATORIES, INC.

631 Commerce Drive, Suite #200 • Roseville, California 95678 • (916) 786-2488

REPORT OF FIELD OR SHOP WELDING INSPECTION

PROJECT NAME: Adams Capitol Management / 800 Ninth St. Sac. FILE NO. 5070
INSPECTOR: Terry Willhoit Sr. DSA FILE #: PERMIT/APPL #: 99-06554C
WELDING PERFORMED AT: Site - 800 Ninth St. Sac. DATE: 7-23-99

Table with 7 columns: NAME, S/S NO., AGENCY, DATE, UPDATE, PROCESS, POSITION/CLASS. Row 1: Keith Breatow, 572-37-5543, Pealody's machine, 6-9-94, 2-5-99, FCAW - 6G-unlimited.

PLANS, SPECIFICATIONS BY: Turley & Assoc. Mach. Engr. DATED: 7-15-99

SHOP DRAWINGS BY: DATED: APPROVAL DATE:

PROCESS: FCAW PROCEDURE: AWS D1.1-98

EQUIPMENT USED: Lincoln Trailblazer 800 w/LN25 wire feeder

ELECTRODE: AWS 5.20 AWS CLASS F 6 E71T-8 DIAMETER .072 SHIELDING Self

WORK IN PROGRESS: fillet welding noted on detail #4 at I beam (w8) to insulators (3/16" fillets)

CSP welding of 2 1/2" pipe to existing beams and to new w8 beams. 6 total on unit #2, also web stiffeners in new w8 beam.

all welding was on unit #2 and is complete and acceptable per code and structural drawing sheet #1 revision #1 dated 7-15-99

WORK OBSERVED THIS DATE CONFORMS WITH THE APPROVED PLANS AND SPECIFICATIONS: YES NO

REMARKS:

REVIEWED BY:



BAG

CAPITOL ENGINEERING LABORATORIES, INC.

631 Commerce Drive, Suite #200 • Roseville, California 95678 • (916) 786-2488

REPORT OF FIELD OR SHOP WELDING INSPECTION

PROJECT NAME: Adams Capitol Management / 800 Ninth St Sac. FILE NO. 5070
 INSPECTOR: Terry Willhoit Sr. DSA FILE #: _____ PERMIT/APPL #: 99-06554C
 WELDING PERFORMED AT: Site - 800 Ninth St. Sac. DATE: 7-24-99

NAME	S/S NO.	AGENCY	DATE	UPDATE	PROCESS	POSITION/CLASS
Robert Wallace	527-47-9006	Pittsburgh Testing Labs	1-20-87	OK	FCAW-3G+4G	unlimited

PLANS, SPECIFICATIONS BY: Turley & Assoc. Mach. Eng. DATED: 7-15-99
 SHOP DRAWINGS BY: _____ DATED: _____ APPROVAL DATE: 6-16-99

PROCESS: FCAW PROCEDURE: AWS D1.1-78

EQUIPMENT USED: Lincoln DC600 portable w/ LN-25 wire feeder

ELECTRODE: AWS 5.20 AWS CLASS F6 E71T-11 DIAMETER 5/64" SHIELDING Self

WORK IN PROGRESS: fillet welding of T.S. to unit frame
as shown on detail #4 3/16", 1 1/2" long @ 48" on center.
all around unit.

all 5/8" HSB'S on unit #2 are Torque tested
and acceptable per code

all welding noted above is complete and acceptable
per code and structural drawings.

WORK OBSERVED THIS DATE CONFORMS WITH THE APPROVED PLANS AND SPECIFICATIONS: YES NO

REMARKS: welding & HSB Torque Testing

REVIEWED BY: _____



CAPITOL ENGINEERING LABORATORIES, INC.

631 Commerce Drive, Suite #200 • Roseville, California 95678 • (916) 786-2488

REPORT OF FIELD OR SHOP WELDING INSPECTION

PROJECT NAME: Adamo Capitol Management Co./800 ninth st. Sac. FILE NO. 5070
 INSPECTOR: Terry Willhoit Sr. DSA FILE #: _____ PERMIT/APPL #: 99-06554C
 WELDING PERFORMED AT: 800 ninth st. Sac./ Site DATE: 8-20-99

NAME	S/S NO.	AGENCY	DATE	UPDATE	PROCESS	POSITION/CLASS
Derek Currie	567-80-1879	Signet	6-18-96	OK	FCAW	3G+4G-unlimited
Keith Britow	572-37-5543	OK- See file				

PLANS, SPECIFICATIONS BY: S.E. Lawrence Arundson DATED: 7-15-99

SHOP DRAWINGS BY: _____ DATED: _____ APPROVAL DATE: _____

PROCESS: FCAW PROCEDURE: AWS D1.1-98

EQUIPMENT USED: Lincoln DC-400 Portable w/LN-25 wire feeder

ELECTRODE: AWS 5.20 AWS CLASS F6 E 717-8 DIAMETER .072 SHIELDING Self

WORK IN PROGRESS: CJP welding of Pipe to ext. beams and new W8x24 beams per details # 2, 3 & 5 on sheet S1.

fillet welding of stiffeners per detail # 2, 3 & 5

Torque Testing of A325 HSB'S at beam to beam conn.

Tested 100% - Pass, also torque tested 100% of 3/4" wedge anchor, ref. #3/51. Tested to 150 ft lbs - Passed

all welding noted above is complete and acceptable per code & structural drawings.

WORK OBSERVED THIS DATE CONFORMS WITH THE APPROVED PLANS AND SPECIFICATIONS: YES NO

REMARKS: _____

REVIEWED BY: _____



CAPITOL ENGINEERING LABORATORIES, INC.

631 Commerce Drive, Suite #200 • Roseville, California 95678 • (916) 786-2488

REPORT OF FIELD OR SHOP WELDING INSPECTION

PROJECT NAME: Adams Capitol Management Co./800 Ninth St., Sac., Ca. FILE NO. 5070
INSPECTOR: Terry Willhoit Sr. DSA FILE #: PERMIT/APPL #: 99-06554C
WELDING PERFORMED AT: Site / 800 Ninth St., Sac., Ca. DATE: 8-21-99

Table with 7 columns: NAME, S/S NO., AGENCY, DATE, UPDATE, PROCESS, POSITION/CLASS. Row 1: Bob Wallace, OK-See file, [blank], [blank], [blank], [blank], [blank]

PLANS, SPECIFICATIONS BY: S.E. Lawrence Amundson DATED: 7-15-99

SHOP DRAWINGS BY: DATED: APPROVAL DATE:

PROCESS: FCAW PROCEDURE: AWS D1.1-98

EQUIPMENT USED: Lincoln Ranger 9

ELECTRODE: AWS 5.20 AWS CLASS F6 E71T-8 DIAMETER .072 SHIELDING Self

WORK IN PROGRESS: fillet welding of W8x24 beam to isolator units (8) welded per detail on sheet S1.

also
fillet welding of AC unit to isolator frame per detail on sheet S1.

Torque testing of A325 HSB'S at beam to isolator frame.

all items noted above are complete and acceptable per code & structural drawings

WORK OBSERVED THIS DATE CONFORMS WITH THE APPROVED PLANS AND SPECIFICATIONS: [X] YES [] NO

REMARKS:

REVIEWED BY:



CAPITOL ENGINEERING LABORATORIES, INC.

631 Commerce Drive, Suite #200 • Roseville, California 95678 • (916) 786-2488

REPORT OF FIELD OR SHOP WELDING INSPECTION

PROJECT NAME: Adams Capital Management Co/800 Ninth St. Sac. FILE NO. 5070
 INSPECTOR: Terry Willhoit Sr. DSA FILE #: _____ PERMIT/APPL #: 99-06554C
 WELDING PERFORMED AT: site DATE: 8-28-99

NAME	S/S NO.	AGENCY	DATE	UPDATE	PROCESS	POSITION/CLASS
<u>Bob Wallace</u>	<u>OK-See file</u>	<u>file</u>				

PLANS, SPECIFICATIONS BY: S.E. Lawrence Amundson DATED: 7-15-99
 SHOP DRAWINGS BY: _____ DATED: _____ APPROVAL DATE: _____
 PROCESS: FCAW PROCEDURE: AWS D1.1-98

EQUIPMENT USED: same
 ELECTRODE: AWS 5.20 AWS CLASS F6 E 71T-11 DIAMETER .072 SHIELDING Self

WORK IN PROGRESS: AC Unit #1 retro-fit with 2 1/2" ID pipe @ 2 locations
ref. detail # 5, for revised drawing dated 8-23-99
AC Unit #2 This retro-fit occurs at 6 locations.
single bevel C.J.P. welds at top & bottom of pipes
and square groove C.J.P. weld (2 side) at Vert. pipe splices
using 2" (E) Std. pipe as back up bars.

all welding at pipe joints noted above is complete
and acceptable per code + structural Eng. Drawing dated
8-23-99.

WORK OBSERVED THIS DATE CONFORMS WITH THE APPROVED PLANS AND SPECIFICATIONS: YES NO

REMARKS: _____

RECEIVED
OCT 07 1999
REEVE-KNIGHT

REVIEWED BY: _____

WORK ORDER

JOB NO. _____

NAME REEVE-KNIGHT JOB SITE 800 NINTH ST.

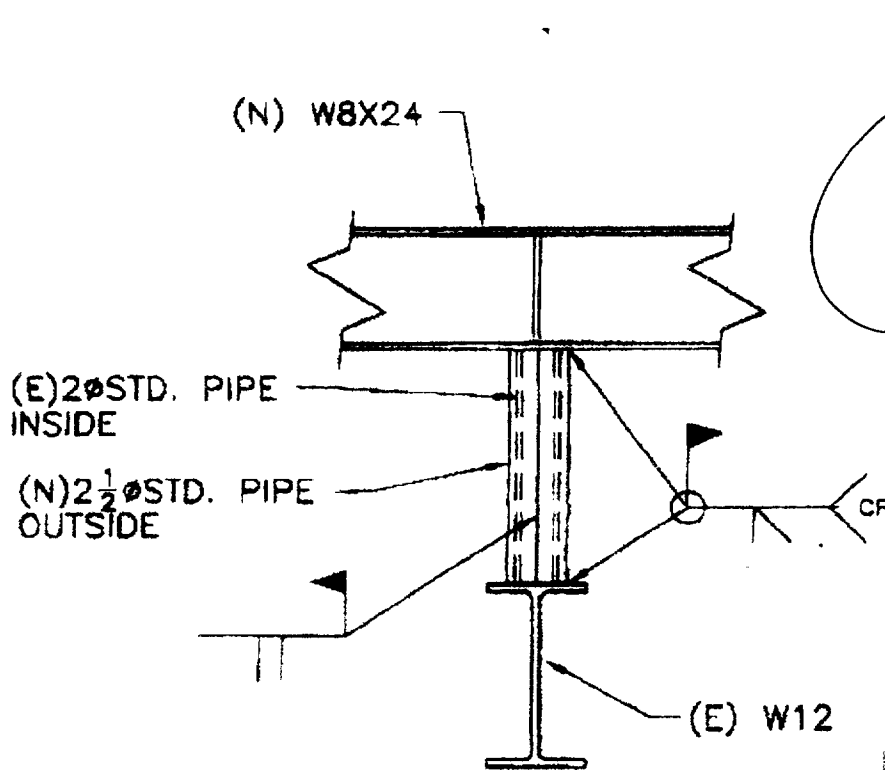
ADDRESS _____ HVAC UPGRADE

PHONE _____

DATE 8-23-99 DELIVER WILL CALL INSTALL YES NO COLOR _____

FAB TIME _____ DESCRIPTION TYP. 8 PLACES

ERECTION TIME _____



Note: Double Pipe at 5/8" places

NEW 2 1/2 STD. PIPE • (E) SUPPORTS

APPROVED AS NOTED FOR
[Signature]
 GENERAL LAYOUT AND RESPONSIBLE
 FOR ERRORS OR OMISSIONS
LAWRENCE AMUNDSEN
 Structural Engineer