

CITY OF SACRAMENTO
1231 I Street, Sacramento, CA 95814

Permit No: 9906124
Insp Area: 4

Site Address: 3853 AETNA SPRINGS WY SAC
Parcel No: LOT 32

Sub-Type: NSFR
Housing (Y/N): N

CONTRACTOR
KAUFMAN AND BROAD
3300 DOUGLAS BLVD. STE 330
ROSEVILLE CA. 95661

OWNER

ARCHITECT

Nature of Work: NSFD KB MP1634

CONSTRUCTION LENDING AGENCY : I hereby affirm under penalty of perjury that there is a construction lending agency for the performance of the work for which this permit is issued (Sec. 3097, Civ. C).

Lender's Name _____ Lender's Address _____

LICENSED CONTRACTORS DECLARATION: I hereby affirm under penalty of perjury that I am licensed under provisions of Chapter 9 (commencing with section 7000) of Division 3 of the Business and Professions Code and my license is in full force and effect.

License Class 1 License Number 233492 Date 1/25/00 Contractor Signature A. Gillen

OWNER-BUILDER DECLARATION: I hereby affirm under penalty of perjury that I am exempt from the contractors License Law for the following reason (Sec. 7031.5, Business and Professions Code; any city or county which requires a permit to construct, alter, improve, demolish, or repair any structure, prior to its issuance, also requires the applicant for such permit to file a signed statement that he or she is licensed pursuant to the provisions of the Contractors License Law (Chapter 9 (commencing with Section 7000) of Division 8 of the Business and Professions Code) or that he or she is exempt therefrom and the basis for the alleged exemption. Any violation of Section 7031.5 by any applicant for a permit subjects the applicant to a civil penalty of not more than five hundred dollars (\$500.00);

I, as a owner of the property, or my employees with wages as their sole compensation, will do the work, and the structure is not intended or offered for sale (Sec. 7044, Business and Professional Code: The Contractors License Law does not apply to an owner of property who builds or improves thereon, and who does such work himself or herself or through his/her own employees, provided that such improvements are not intended or offered for sale. If, however, the building or improvement is sold within one year of completion, the owner-builder will have the burden of proving that he/she did not build or improve for the purpose of sale.)

I, as owner of the property, am exclusively contracting with licensed contractors to construct the project (Sec. 7044, Business and Professions Code: The Contractors License Law does not apply to an owner of property who builds or improves thereon, and who contracts for such projects with a contractor(s) licensed pursuant to the Contractors License Law).

I am exempt under Sec. _____ B & PC for this reason: _____

Date _____ Owner Signature _____

IN ISSUING THIS BUILDING PERMIT, the applicant represents, and the city relies on the representation of the applicant, that the applicant verified all measurements and locations shown on the application or accompanying drawings and that the improvement to be constructed does not violate any law or private agreement relating to permissible or prohibited locations for such improvements. This building permit does not authorize any illegal location of any improvement or the violation of any private agreement relating to location of improvements.

I certify that I have read this application and state that all information is correct. I agree to comply with all city and county ordinances and state laws relating to building construction and herby authorize representative(s) of this city to enter upon the abovementioned property for inspection purposes.

Date 1/25/00 Applicant/Agent Signature A. Gillen

WORKER'S COMPENSATION DECLARATION: I hereby affirm under penalty of perjury one of the following declarations:

I have and will maintain a certificate of consent to self-insure for workers' compensation as provided for by Section 3700 of the Labor Code, for the performance of work for which the permit is issued.

I have and will maintain workers' compensation insurance, as required by Section 3700 of the Labor Code, for the performance of the work for which this permit is issued. My workers' compensation insurance carrier and policy number are:

Carrier CONTINENTAL CAS. CO. Policy Number WC188899094 Exp Date 05/01/2000

(This section need not be completed if the permit is for \$100 or less) I certify that in the performance of the work for which this permit is issued, I shall not employ any person in any manner so as to become subject to the workers' compensation laws of California and agree that if I should become subject to the workers' compensation provisions of Section 3700 of the Labor Code, I shall forthwith comply with those provisions.

Date 1/25/00 Applicant Signature A. Gillen

WARNING: FAILURE TO SECURE WORKER'S COMPENSATION COVERAGE IS UNLAWFUL AND SHALL SUBJECT AN EMPLOYER TO CRIMINAL PENALTIES AND CIVIL FINES UP TO ONE HUNDRED THOUSAND DOLLARS (\$100,000) IN ADDITION TO THE COST OF COMPENSATION, DAMAGES AS PROVIDED FOR IN SECTION 3706 OF THE LABOR CODE, INTEREST AND ATTORNEY'S FEE.

THIS PERMIT SHALL EXPIRE BY LIMITATION IF WORK IS NOT COMMENCED WITHIN 180 DAYS.



WesPac

insulation

a MASCO Company



809 North Market Blvd., Ste. 11 • Sacramento, CA 95834
(916) 927-7149 • Fax (916) 927-4257
Lic. #487478

Installed Insulation Certificate

We certify that the building insulation listed herein is installed in conformance
with current energy conservation regulations, California Administrative Code, Title 24, State of California

R FACTOR	AREA	TYPE	INCHES/BAGS (BLOWN)
R38	CEILING AREA	CELLULOSE BLOW	10.3"/52BAG
R38	CEILING AREA	FIBERGLASS BATT	12"
R19	EXT. WALL AREA	FIBERGLASS BATT	6"
R13	EXT. WALL AREA	FIBERGLASS BATT	3.5"

Certified by
Title Secretary

GATWAY WEST
KAUF GATEWAY WEST/32
Address or Lot Number
02/01/01 Date Installed
Phase #

COUNTY SANITATION DISTRICT NO. 1
 SACRAMENTO REGIONAL COUNTY SANITATION DISTRICT
SEWER IMPACT FEE
 PERMIT AND CALCULATION SHEET

APPLICATION NO:
 GENERAL INFORMATION

BLDG PERMIT NO: *City*

THIS PERMIT GOOD ONLY WHEN
 VALIDATED BY THE CASHIER

DEPT 26 \$2,414.00
 TRAN 392077 06/25/99
 RECEIPT 705891 C#1 \$2,414.00

2524772 6-25-99
 THIS PERMIT TO CONNECT EXPIRES
 ONE YEAR FROM DATE OF ISSUANCE

FEE CALCULATION		BUILDING USE	
INSPECTION		RESIDENTIAL	SF <input checked="" type="checkbox"/> MF <input type="checkbox"/>
CSD-1	29	COMMERCIAL USE	UNITS
SRCSO	2,385		
CONSTRUCTION			
IN-LIEU			
TOTAL FEE	2,414		

APN: Parunkr000

DESCRIPTION/
 SUBDIVISION Gateway West Village #1 Unit #4 LOT: 32

PROPERTY ADDRESS 3853 Aetna Springs Way

OWNER Kaufman & Broad

MAILING ADDRESS 611 Orange Drive

CITY-STATE-ZIP Vacaville, Ca. 95687 PHONE (707) 489-2400

ADDITIONAL FEES MAY BE DUE IF CHANGES IN USE INCREASE SEWER IMPACT.

APPLICANT SIGNATURE *[Signature]*

CONSOLIDATED UTILITY BILLING USE ONLY

ACCT _____ INPUT _____ START _____
 INSPECTOR'S COPY

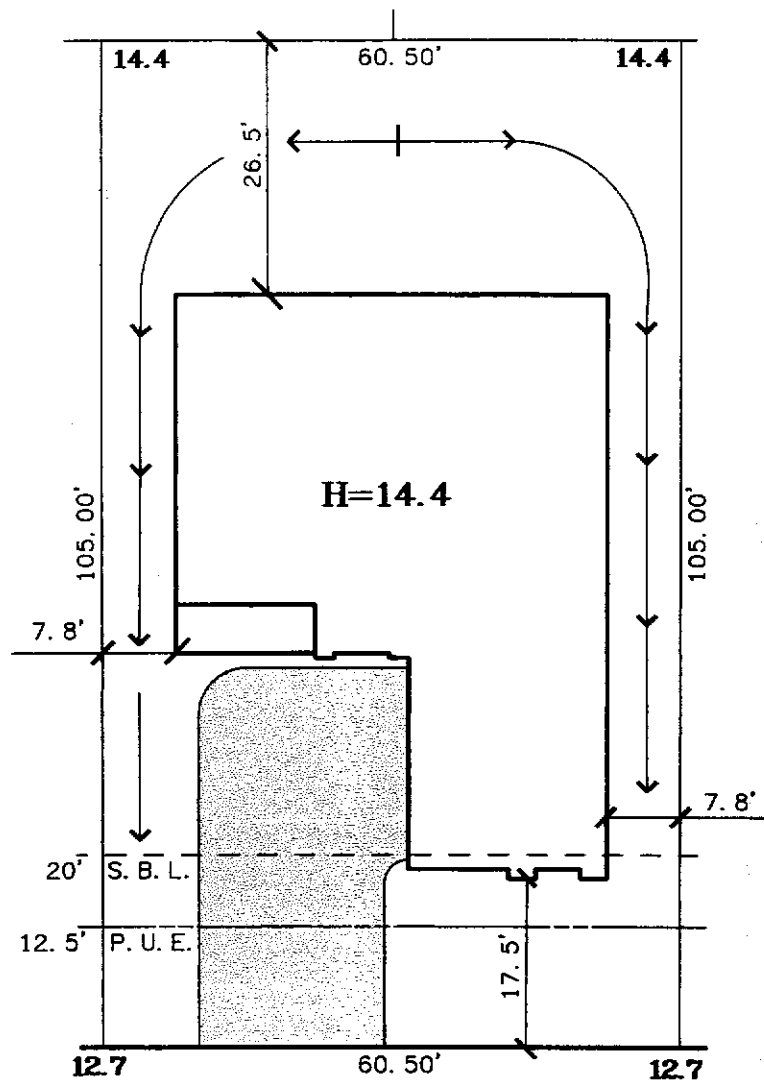
CERTIFICATION OF COMPLIANCE
SCHOOL DISTRICT DEVELOPMENT FEES

PART I: TO BE COMPLETED BY APPLICANT	
Property Owner's Name	Kraftman Michael
Owner's Address	111 Cottage Drive, Vacaville, CA 95687
Project Address	3853 Adams Springs Way
Parcel Number	Lot 32
Subdivision Name	Adams Springs Unit 4
Number of Units	1
Print Applicant's Name	Norman Collins
Title of Applicant	Contractor
Date	6/12/99
Applicant's Signature	<i>Norman Collins</i>
Telephone Number	707 469-2400
PART II: TO BE COMPLETED BY BUILDING DEPARTMENT	
Plan Identification Number	9906124R
Building Type (Check One)	
<input checked="" type="checkbox"/> Residential	<input type="checkbox"/> Apartment/Condominium
<input type="checkbox"/> Commercial/Industrial	
Square Feet of Chargeable Building Area	1634
Signature	<i>[Signature]</i>
Title	Blg Insp III
Date	6/12/99
PART III: TO BE COMPLETED BY NATOMAS UNIFIED SCHOOL DISTRICT	
District Certification Number	99-514
Fees Collected:	
Residential:	1634 Sq. Ft. X \$ 4.50 = \$ 7467.38
Apartment/Condominium:	Sq. Ft. X \$ = \$
Commercial/Industrial:	Sq. Ft. X \$ = \$
<p>NOTICE TO APPLICANT: Pursuant to government code section 66020 (d), this will serve to notify you that the 90-day approval period in which you may protest the fees, or other payment identified above, will begin to run on the date in which the building or installation permit for this project is issued, or on which they are paid to the District, or to another public entity authorized to collect them on behalf of the District, whichever is earlier.</p>	
Applicant Signature:	<i>Norman Collins</i> Date: 6/12/99

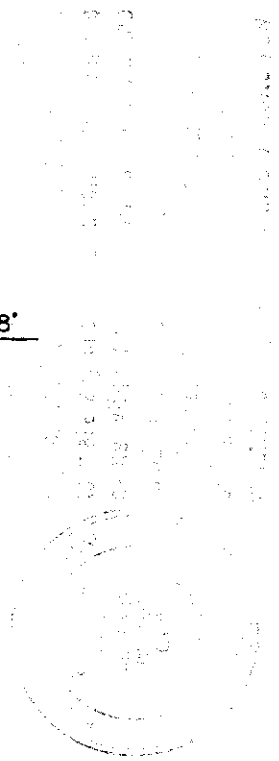
This certification covers only the amount of square footage indicated above. Any additions or corrections to the square footage for this project will require an amendment to the Certificate of Compliance.

As the authorize Natomas Unified School District official, I hereby certify that the requirements of Government Code Section 95995 have been complied with by the above signed applicant.

SIGNATURE: *[Signature]* DATE: 6/12/99
 TITLE: Blg Insp III



AETNA SPRINGS WAY



DATE: 5/20/99 REV.
 A.P.N.:
 ADDRESS: 3853 AETNA SPRINGS WAY

LOT AREA: 6,353 SF
 LOT COVERAGE: 34%

The Spink Corporation
 2590 VENTURE OAKS WAY
 SACRAMENTO, CA. 95833
 PH:(916)925-5550 FAX:(916)921-9274

GATEWAY WEST
 VILLAGE 1 UNIT 4
 LOT 32
 PLAN 1C

GATEWAY WEST
 CITY OF SACRAMENTO, CA.
 CLIENT: KAUFMAN & BROAD
 JOB NO.: 4734-042